

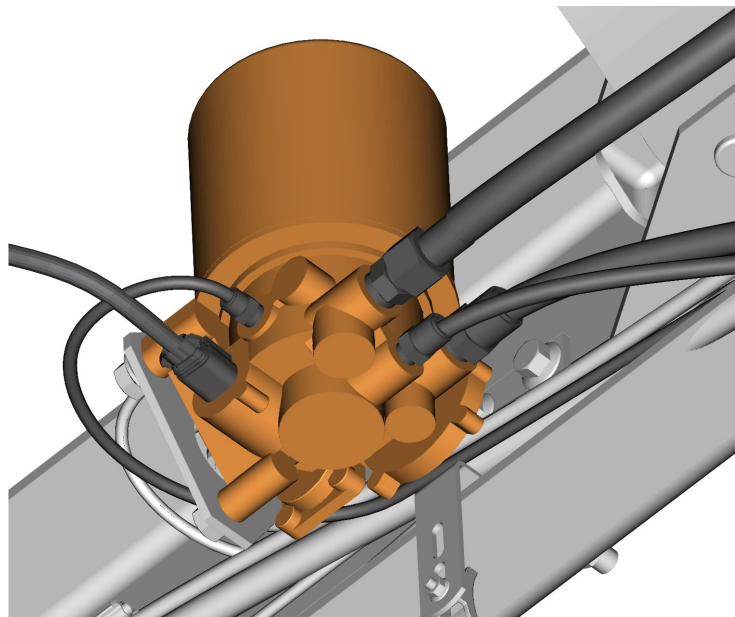
Date	Group	No.	Release	Page
5.2010	561	26		1(6)

Air Dryer (Meritor)

Replacement

VN, VHD VERSION2

Air Dryer (Meritor), Replacement



W5055755

This information covers the procedures for replacing the air dryer (Meritor) on the Volvo VN, VHD VERSION2 vehicle models.

Contents

- “Special Tools”, page 2 .
- “Air Dryer, Replacement”, page 3 .

Note: Information is subject to change without notice.
Illustrations are used for reference only and can differ slightly from the actual vehicle being serviced. However, key components addressed in this information are represented as accurately as possible.

Special Tools

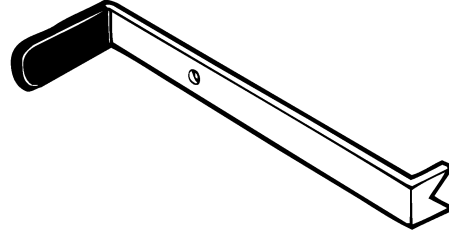
For special tools ordering information, refer to Tool Information, group 08.



W0001874

J-44773

Air Line Release Tool



W0055711

J-42189

Air Line Release Tool

5618-03-02-03 Air Dryer, Replacement

You must read and understand the precautions and guidelines in Service Information, group 20, "General Safety Practices, Engine" before performing this procedure. If you are not properly trained and certified in this procedure, ask your supervisor for training before you perform it.

Special tools: J-44773, J-42189

Removal

1

Apply the parking brake and place the shift lever in neutral.

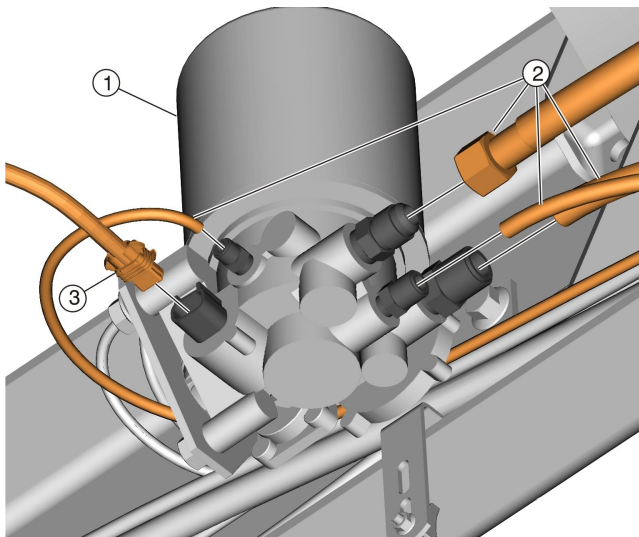
2

Drain the complete air system.

3

Using the special air line release tools, disconnect the four air lines from the defective air dryer.

J-44773, J-42819

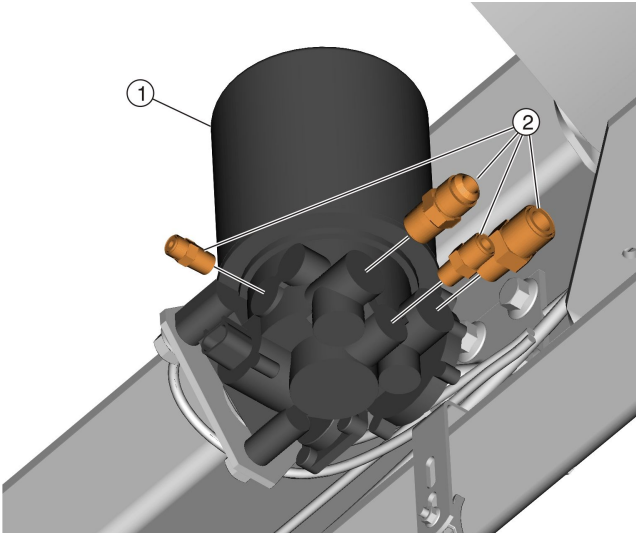


W5055758

- 1 Air Dryer
- 2 Air Line
- 3 Air Dryer Wiring Harness Connector

4
Disconnect the wiring harness, if equipped, from the air dryer electrical connector.

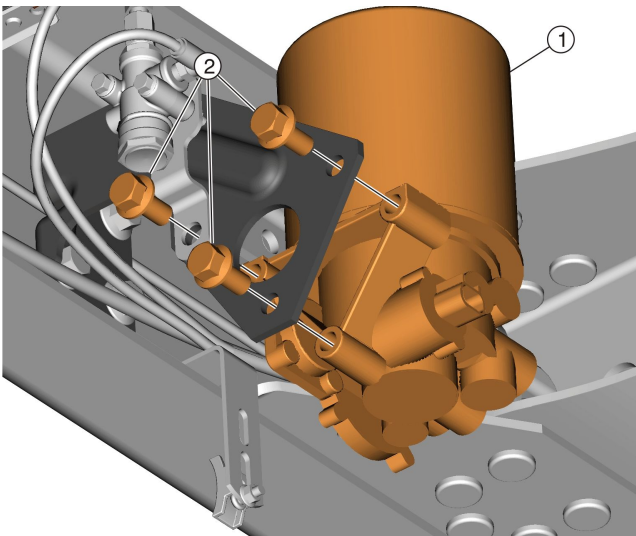
5
Remove the four air line connection fittings from the defective air dryer for reuse on the replacement air dryer.



W5055759

- 1 Air Dryer
- 2 Air Line Fittings

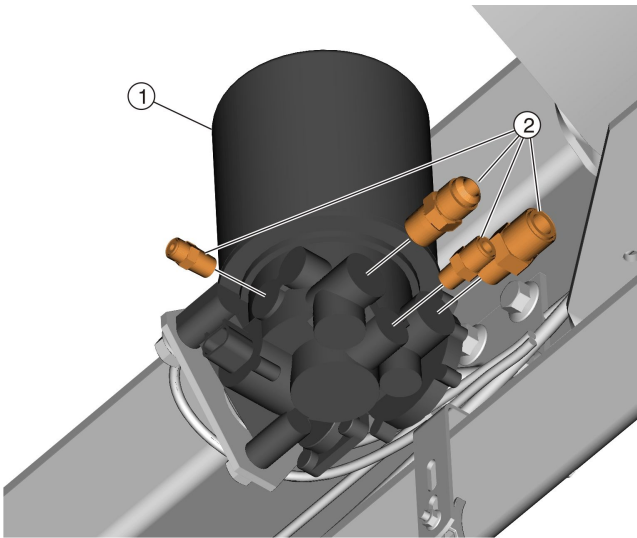
6
Detach the defective air dryer from the mounting bracket by removing the fasteners. Remove the air dryer from the vehicle.



W5055760

- 1 Air Dryer
- 2 Fasteners

Installation

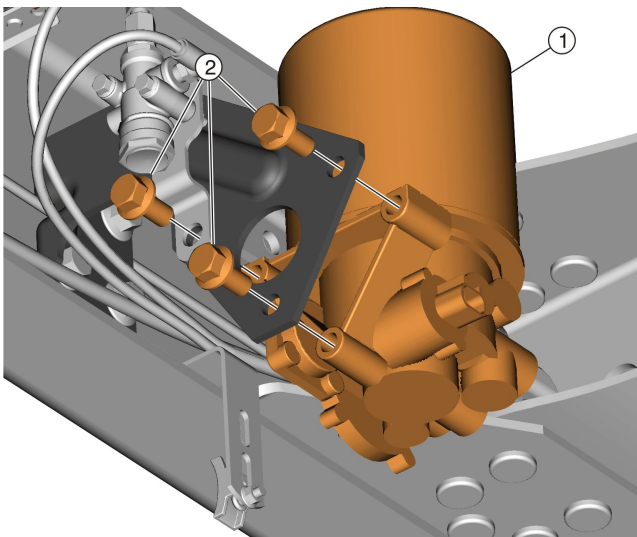


W5055759

- 1 Air Dryer
- 2 Air Line Fittings

1
Apply pipe sealant to the four air line fittings removed from the defective air dryer and install them into the replacement air dryer.

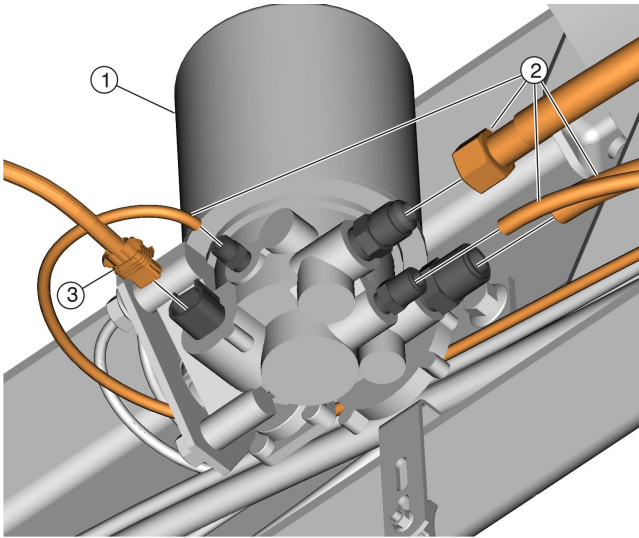
Note: Be sure to inspect the collets and O-rings on the fittings for damage before installing them into the replacement air dryer. If damage is found, replace the fitting(s).



W5055760

- 1 Air Dryer
- 2 Fasteners

2
Attach the replacement air dryer to the air dryer bracket using the fasteners. Tighten the fasteners and torque to specification.



W5055758

- 1 Air Dryer
- 2 Air Line
- 3 Air Dryer Wiring Harness Connector

3
Connect the four air lines to the air dryer fittings.

4
Connect the electrical harness (if equipped) to the air dryer electrical connector.

5
Start the vehicle engine and build up pressure in the air system. Check for air leaks and proper operation.