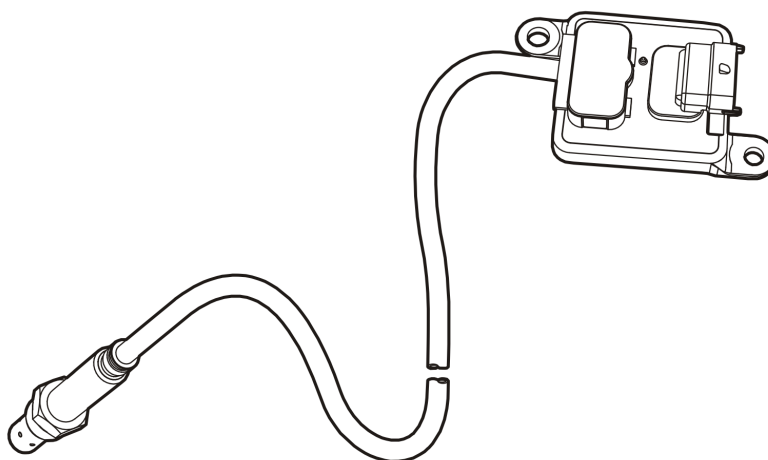


Date	Group	No.	Release	Page
6.2011	<b>258</b>	<b>12</b>	<b>01</b>	1(6)

## NOx Sensor, Replacement Exhaust Outlet Pipe VHD, VAH

### NOx Sensor, Replacement



W2006481

This document provides the service procedures for replacing the NOx sensor on the outlet pipe on VOLVO VHD and VAH chassis equipped with the CBOC (Clean Back of Cab) configuration.

### Contents

- “NOX Sensor and Control Module, Replacement”, page 2

**Note:** Information is subject to change without notice. Illustrations are used for reference only, and can differ slightly from the actual vehicle being serviced. However, key components addressed in this information are represented as accurately as possible.

# Service Procedures

**2589-03-02-10**

## NOX Sensor and Control Module, Replacement

### Exhaust Outlet Pipe

You must read and understand the precautions and guidelines in Service Information, group 20, "General Safety Practices, Engine" before performing this procedure. If you are not properly trained and certified in this procedure, ask your supervisor for training before you perform it.

## Removal

**1**

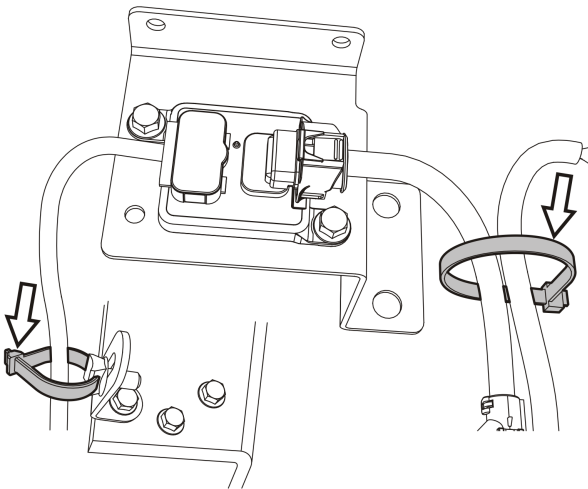
Apply the parking brake and place the shift lever in neutral.

**2**

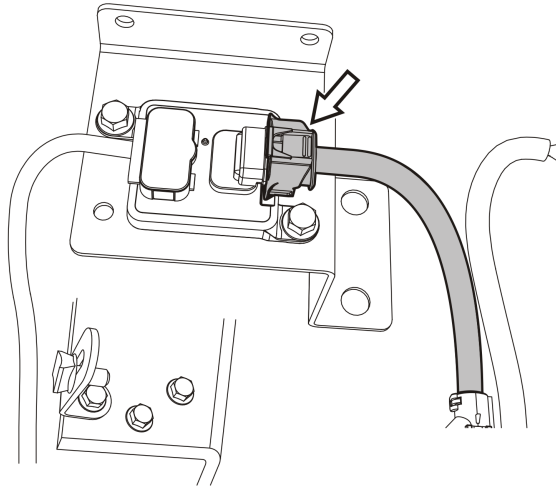
Open the battery box. Disconnect all cables from the negative (ground) battery terminals to prevent personal injury from electrical shock and prevent damage to electrical components.

**3**

Follow the lead from the NOx sensor and cut all tie straps that secure the wiring harness connector and sensor lead.



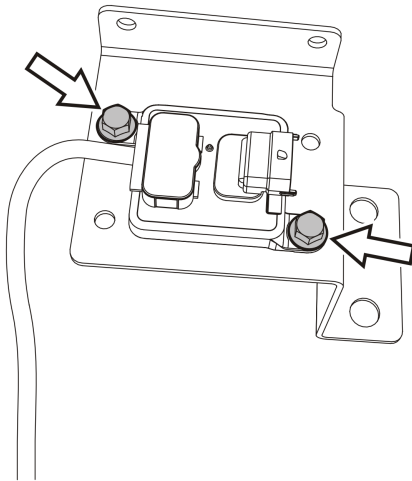
W2006482



W2006483

**4**

Disconnect the wiring harness from NOx sensor module.

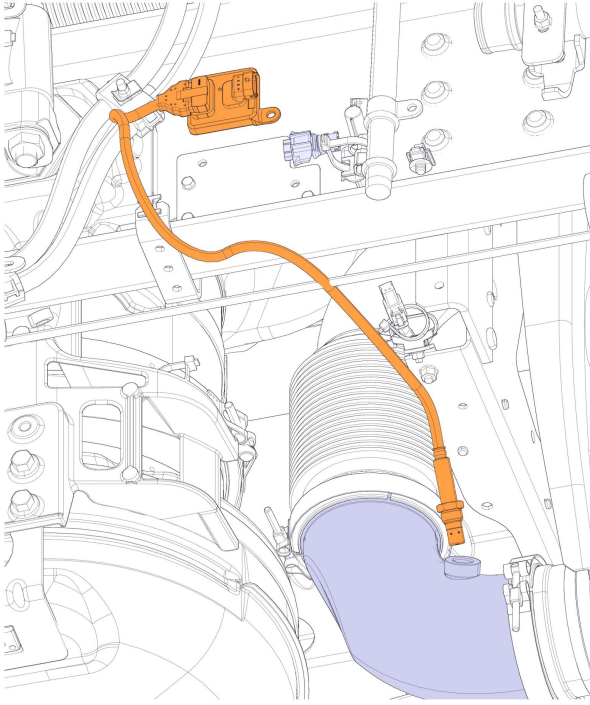


W2006484

**5**

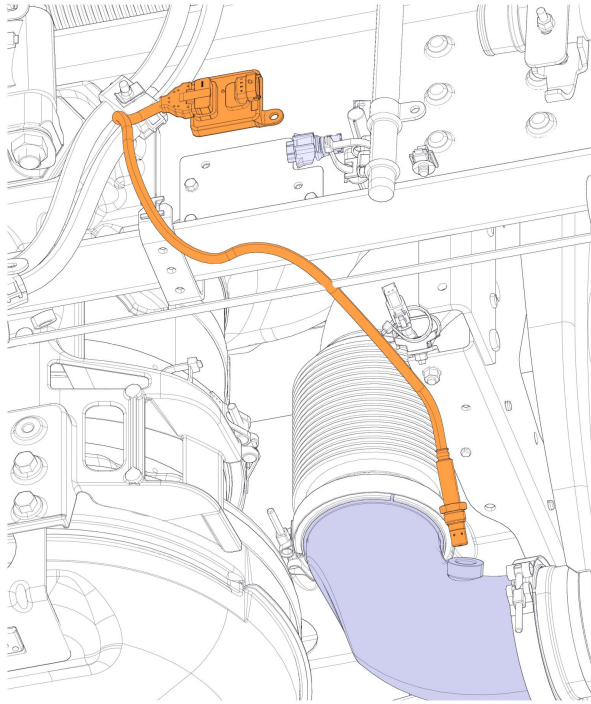
Remove the fasteners securing the NOx sensor module to the mounting bracket and remove the sensor module.

- 6**  
Remove the NOx sensor from the exhaust pipe.



W2066032

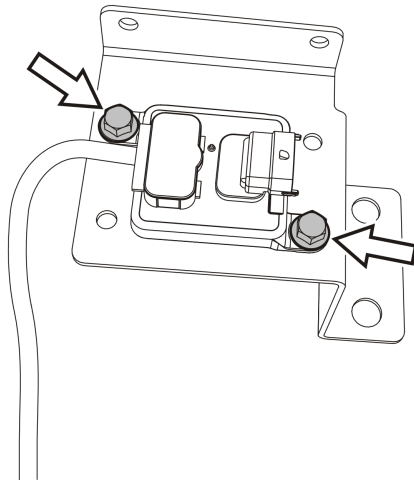
## Installation



W2066032

**1**

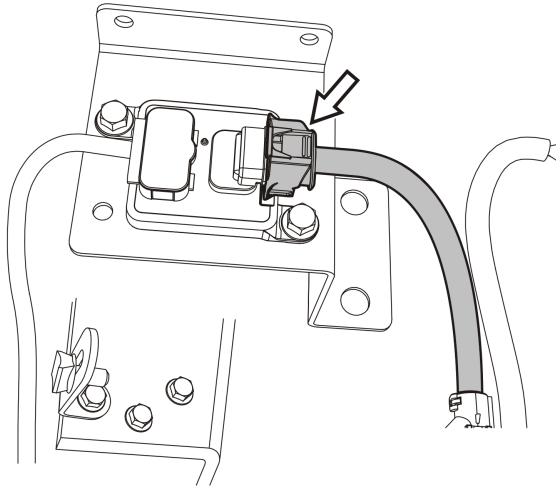
Apply a high temperature anti-seize compound to the threads of replacement NOx sensor and install the sensor into the exhaust pipe. Tighten the NOx sensor to specification, refer to Function Group 20, Specifications.



W2006484

**2**

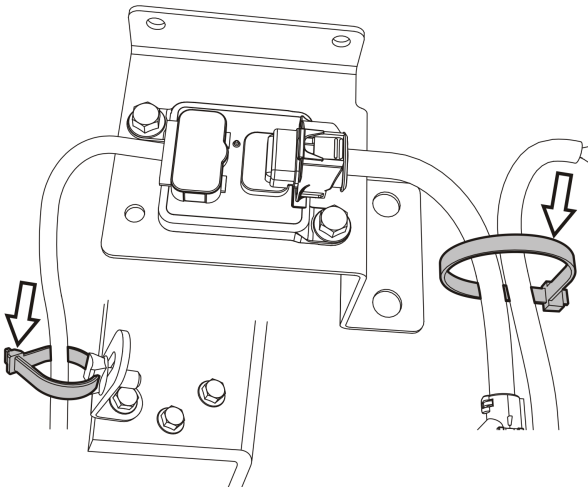
Position the NOx sensor module onto the mounting bracket and install the fasteners. Tighten fasteners to specification, refer to Function Group 20, Specifications.



W2006483

**3**

Connect the wiring harness to the NOx sensor module.



W2006482

**4**

Secure the NOx sensor module wiring harness and the NOx sensor lead with tie straps.

**5**

Reconnect all previously removed cables to the negative (ground) battery terminals and install the battery box cover.

**6**

Connect the Tech Tool, clear diagnostic trouble codes (DTCs), and check operation.